



15W Compact Waterproof LED Driver

The DR8 series of compact waterproof LED drivers offers superior performance for small to medium size lighting fixtures, such as pool, spa, landscape and in-ground lighting where form factor, precise light control, quality of light and high reliability are critical factors.

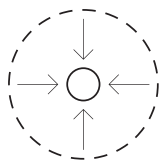
Product Offering

Power: 15 W
 Input: 220-240 V (50/60 Hz)
 Output: 350 mA (30-42 V)
 Dimming: Leading and Trailing edge
 IP rating: IP68

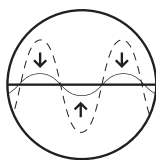


Features and Benefits

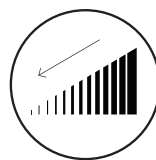
Waterproof	IP68 permanent submersion in water (4 meters).
Compact Size	Specifically designed to fit in small lighting fixtures with integrated waterproof wires.
Flicker Free	World-class flicker free design ensures Percent Flicker less than 30% over the entire dimming range.
Deep Dimming	Excellent dimming performance to less than 1% with stable light output.
5 Year Warranty	Backed by the industry leading warranty of 5 years gives confidence in long term, maintenance free performance.



COMPACT SIZE



FLICKER FREE



DEEP DIMMING



5 YEAR WARRANTY





Input Characteristics

Nominal Input Voltage Range AC	220-240 VAC
Absolute Input Voltage Range AC	198-264 VAC
Maximum Input Current @230 VAC / 50 Hz	51 mA
Input Frequency	50/60 Hz
Power Factor with Full Load	>0.9
Efficiency	83%
THD with Full Load	≤20%

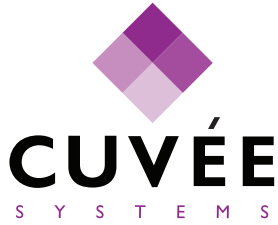
Output Characteristics

Rated LED Output Power	15 W
Nominal LED Output Current	350 mA
LED Output Current Tolerance	±5%
LED Output Voltage Range DC	30-42 V
Startup Time	<0.5s

Dimming Characteristics

Dimming Type	Leading / Trailing Edge
Dimming Range	1% - 100%
Percent Flicker	<30%





Environment Conditions

Operating Ambient Temperature (Ta) Range	-10 to 40 °C
Maximum Operating Ambient Temperature (Ta max)	40 °C
Maximum Operating Case Temperature (Tc max)	80 °C
Storage Temperature	-20 to 80 °C
Lifetime @ Tc max	50,000 hours

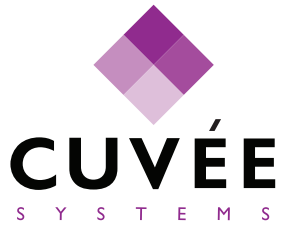
Mechanical Details

Length (L)	80 mm
Width (W)	33 mm
Height (H)	25 mm
Weight	90 g

Protection Features

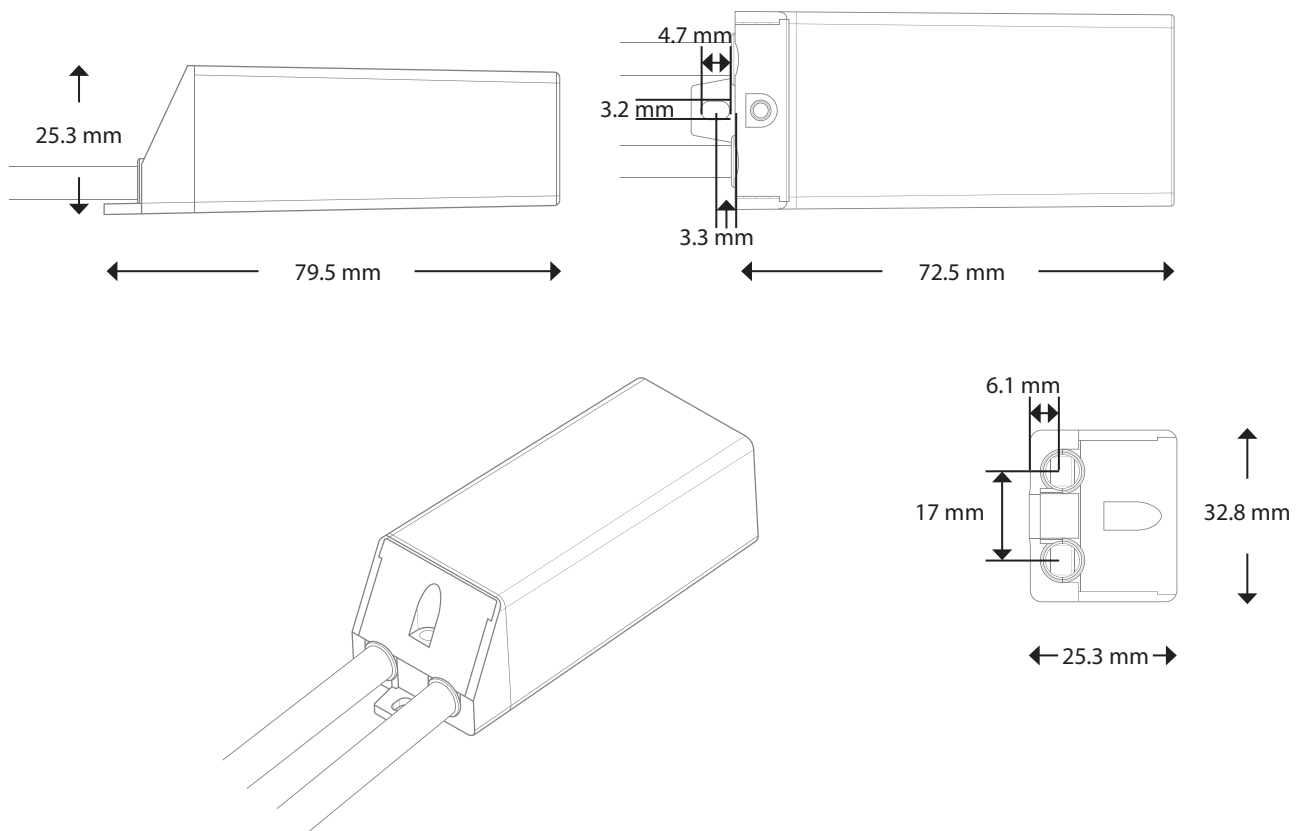
Over Voltage Protection (OVP)	>43 V
Output Short-Circuit Protection	Yes
Surge Protection	1 kV





Outline Drawing

L x W x H
79.5 x 32.8 x 25.3 mm





Wire Specifications

Input / Output Wire	H05RN-F
Input / Output Wire AWG	17 AWG
Input / Output Wire Diameter	8.0mm
Input / Output Wire Length	15 cm

Ordering Information

DR8-ELT015/1-CC350-42

Certifications and Testing

EN 55015:2013 + A1

EN 61000-3-2:2014

EN 61000-3-3:2013

EN 61347-1:2015

EN 61347-2-13:2014 + A1

EN 61547:2009



Warranty

Warranty Period 5 years

