

## 6W Compact LED Driver

The KAW / KCB series of compact LED drivers offers superior performance for small to medium size lighting fixtures, such as downlights, tracklights/spotlights and wall sconces where form factor, precise light control, quality of light and high reliability are critical factors.

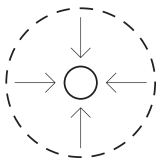
### Product Offering

Power: 6 W  
 Input: 220-240 V (50/60 Hz)  
 Output: 180 mA (30-38 V)  
 Dimming: Leading and Trailing Edge  
 IP Rating: IP65

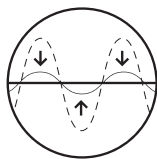


### Features and Benefits

Compact Size	Specifically designed to fit in small lighting fixtures.
Flicker Free	World-class flicker free design ensures Percent Flicker less than 3% over the entire dimming range.
Deep Dimming	Excellent dimming performance to less than 1% with stable light output.
GloStart™	Turn light on at low dimming level (i.e. <10%).
Warranty	Backed by the industry leading warranty of 5 years gives confidence in long term, maintenance free performance.



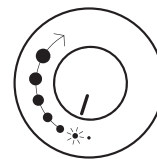
COMPACT SIZE



FLICKER FREE



DEEP DIMMING



GloStart™



5 YEAR WARRANTY





### Input Characteristics

Nominal Input Voltage Range AC	220-240 VAC
Absolute Input Voltage Range AC	198-264 VAC
Maximum Input Current @230 VAC / 50 Hz	32 mA
Input Frequency	50/60 Hz
Power Factor with Full Load	>0.9
Efficiency	75%
THD with Full Load	≤20%
Maximum Inrush Current	<10A

### Output Characteristics

Rated LED Output Power	6 W
Nominal LED Output Current	180 mA
LED Output Current Tolerance	±3%
LED Output Voltage Range DC	30-38 V

### Dimming Characteristics

Dimming Type	Leading / Trailing Edge
Dimming Range	1% - 100%
Percent Flicker	<3%





### Environment Conditions

Operating Ambient Temperature (Ta) Range	-10 to 50 °C
Maximum Operating Ambient Temperature (Ta max)	50 °C
Maximum Operating Case Temperature (Tc max)	75 °C
Storage Temperature	-20 to 85 °C
Humidity	80%
Lifetime @ Tc max	50,000 hours

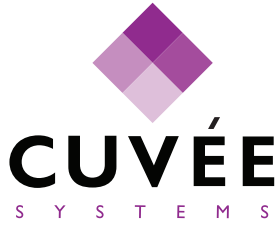
### Mechanical Details

Length (L)	63 mm
Width (W)	32 mm
Height (H)	17 mm
Weight	42 g

### Protection Features

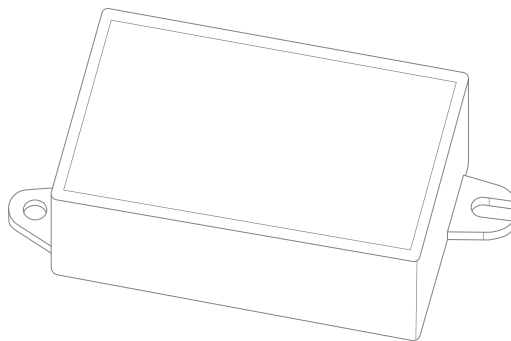
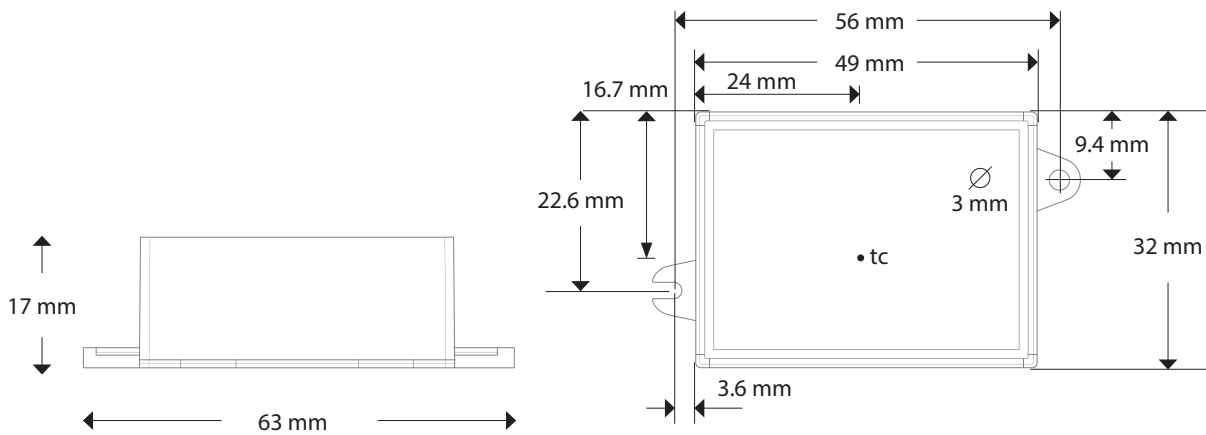
Over Voltage Protection (OVP)	>43 V
Output Short-Circuit Protection	Yes
Surge Protection	1 kV





**Outline Drawing**

L x W x H  
63 x 32 x 17 mm





### Wire Specifications

Input Wire	22 AWG
Output Wire	22 AWG
Wire Strip Length	10 cm

### Ordering Information

KAW-6E18IAD/R

### Certifications and Testing

EN 55015:2013 + A 1

EN 61000-3-2:2014

EN 61000-3-3:2013

EN 61347-1:2015

EN 61347-2-13:2014 + A 1

EN 61547:2009



### Warranty

Warranty Period 5 years

